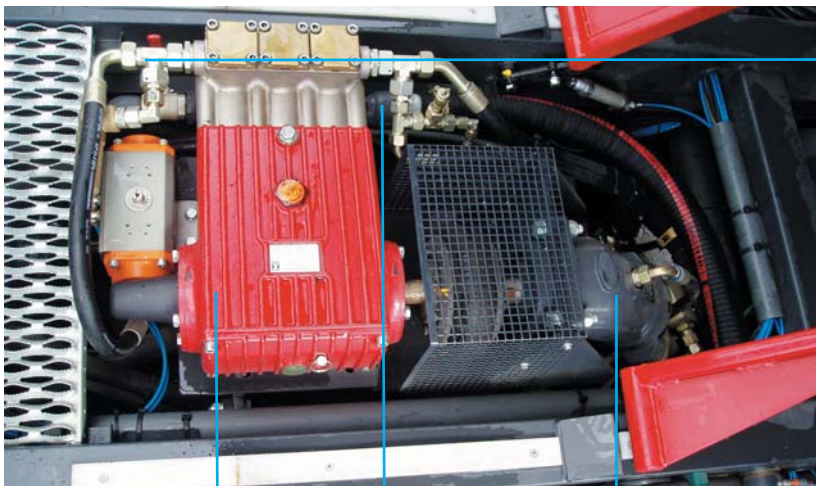


Subject High-pressure equipment – 200bar, 100l/min
Including hose reel and 15m of hose

Issue 03

Driven from the auxiliary engine, the high-pressure water system delivers up to 100 litres per minute at up to 200 bar via spray bars mounted on the vehicle. The power from the engine is delivered via a hydraulic pump and motor system driving the shaft of the high-pressure water pump (see picture below). In addition to the spray bars there is a high pressure hose, hose reel and hand lance that enable the operator to clean various objects such as taxiway lights, signs, marker boards, white lines and the vehicle itself.

Pressure can be adjusted from 80 bar up to the maximum from the cab.

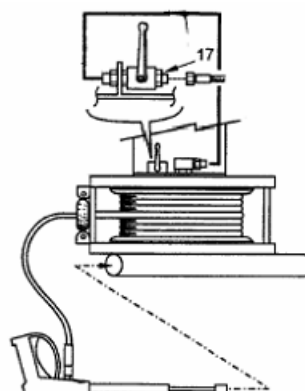


High-pressure water outlet

High-pressure water pump

Water intake to pump

Hydraulic motor driving water pump shaft



Beam A/S

Salten Skovvej 4,
DK-8653 Them
Denmark

The information in this bulletin should not be interpreted as the basis for any claims unless so designated